



### TECHNICAL SPECIFICATIONS

115 B,C,D,E,F luminaire is made of 5 parts:

**THE CROWN** made of cast aluminium fixed to the TOP COVER.

**THE TOP COVER** made of die cast aluminium insures the overwhole protction of the luminaire.

**THE BODY** made of die cast aluminium.The frame is attached by means of an hinge and 1 S/S screw,under the body,assuring and easy access to the control gear and lamp.

**THE OPTIC SYSTEM** It comprises a pure refined aluminium reflector,stamped out in one piece and polished which is attached to the frame,and another CDG steel reflector fixed with aluminium reflector,A arc tempered glass or methacrylate diffuse is sealed directly to the CDG steel reflector by means of a silicone seal insuring a high degree of protection.

**THE BRACKET** made of cast aluminium fixed to the BODY.the bracket shape on your request.

Painted by polyester powder,color on request.

**PROTECTION DEGREE:**

Optical block IP65

**SHOCK ENERGY**

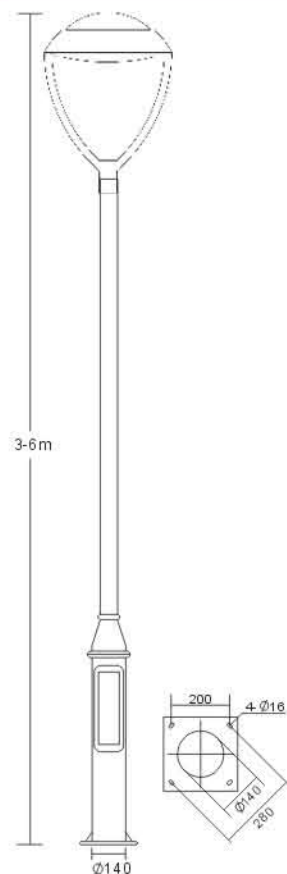
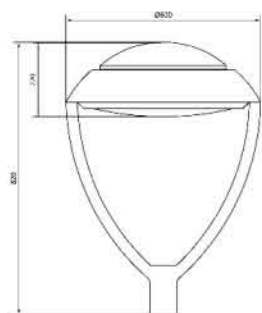
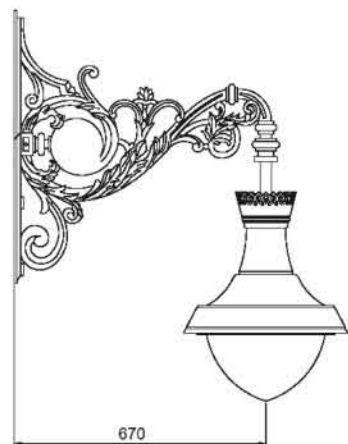
20 Joules(Tempered Glass) 2 Joules(methacrylate bowl)

**CLASS I**

**CLASS II** on request

### 115B/115C/115D/115E/115F

ITEM NO.	SOCKET	USED LAMPS
115B	E27/E40	M.V.: 250W maxi/H.P.S.: 250W maxi
115C/D/E/F	E27/E40	M.V.: 150W maxi/H.P.S.: 150W maxi



**115F**

More poles for fitting, pls check PG.67



**115C**



**115B**



**115D**



**115E**

## TECHNICAL SPECIFICATIONS

155,155A,155B luminaire is made of 4 parts:

**THE DOME** made of embossed aluminium insures the overwhole protection of the luminaire.

**THE BODY** made of die cast aluminium.The frame is attached by means of an hinge and 3 S/S screw,under the body,assureing and easy access to the control gear and lamp.

**THE OPTIC SYSTEM** It comprises a pure refined aluminium reflector,stamped out in one piece and polished which is attached to the frame,A flat clear tempered glass is sealed directly to the thereflector by means of a silicone seal insuring a high degree of protection.

**THE BRACKET** made of cast aluminium have 3 type for your choice.

Painted by polyester powder,color on request.

**PROTECTION DEGREE:**

Optical block IP66

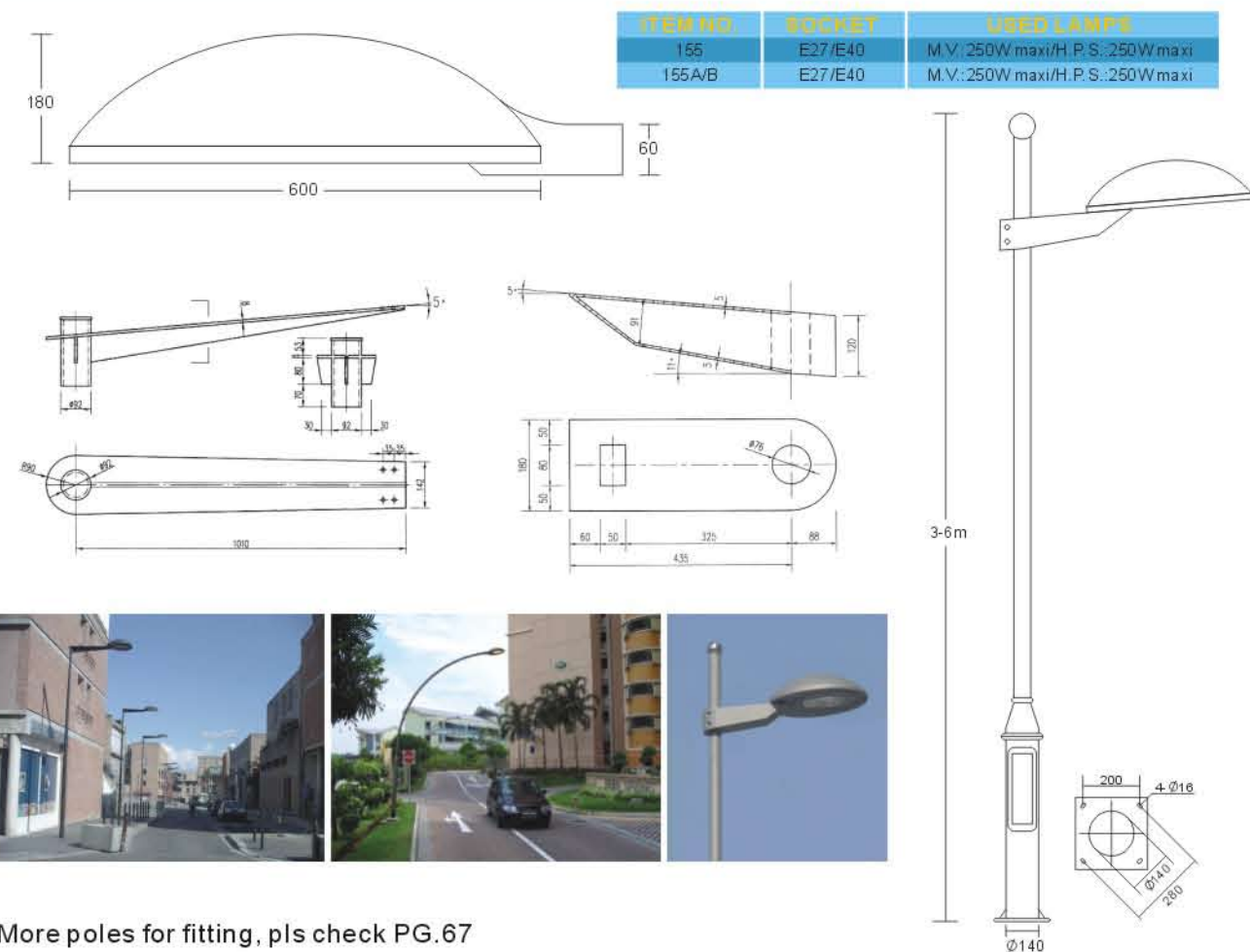
**SHOCK ENERGY**

20 Joules(Tempered Glass)

**CLASS I**

**CLASS II** on request

## 155/155A/155B



# 155



**155A**



**155B**

**TECHNICAL SPECIFICATIONS**

156,156A luminaire is made of 4 parts:

**THE DOME** made of embossed aluminium insures the overwhole protction of the luminaire.

**THE BODY** made of die cast aluminium.The frame is attached by means of an hinge and 3 S/S screw,under the body,assureing and easy access to the control gear and lamp.

**THE OPTIC SYSTEM** It comprises a pure refined aluminium reflector,stamped out in one piece and polished which is attached to the frame,A flat clear tempered glass is sealed directly to the thereflector by means of a silicone seal insuring a high degree of protection.

**THE BRACKET** made of cast aluminium have 2 types for your choice.

Painted by polyester powder,color on request.

**PROTECTION DEGREE:**

Optical block IP66

**SHOCK ENERGY**

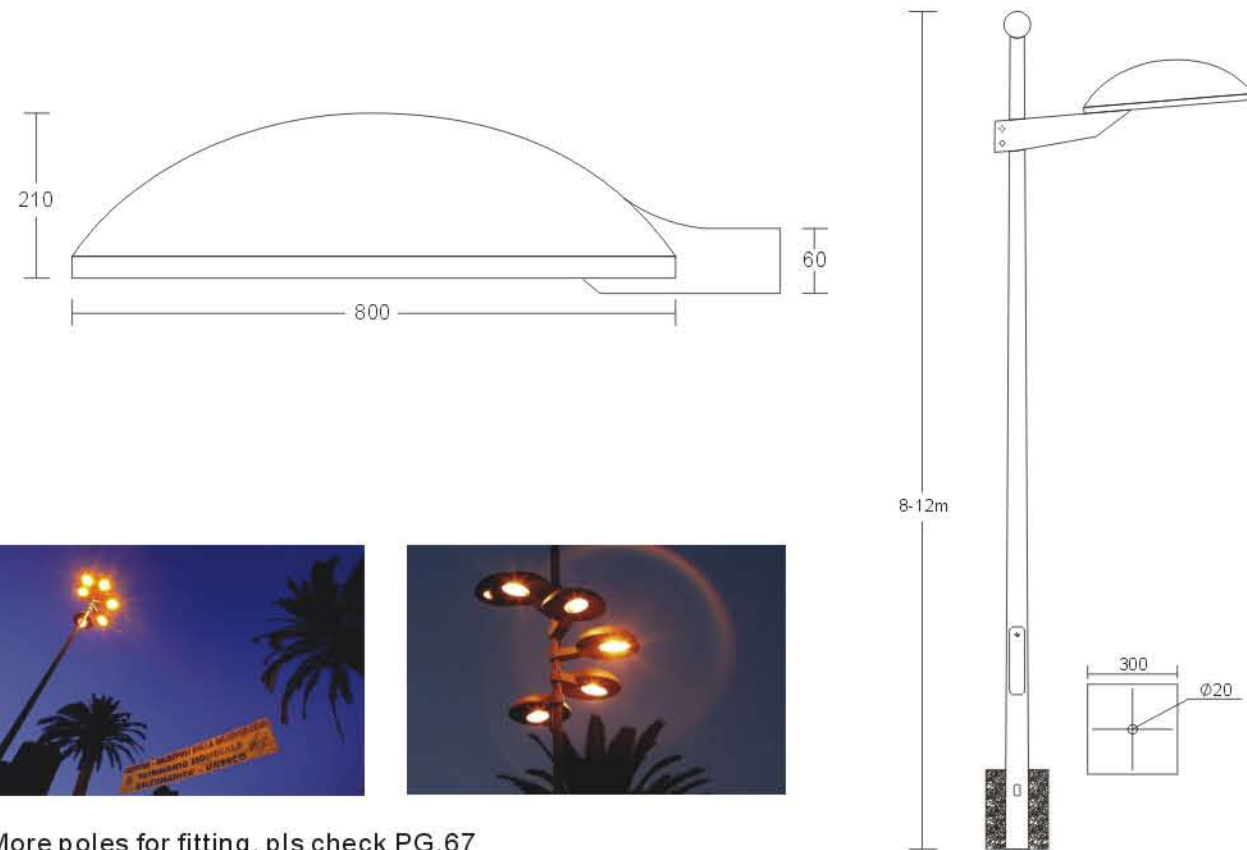
20 Joules(Tempered Glass)

**CLASS I**

**CLASS II** on request

**156/156A**

ITEM NO.	SOCKET	USED LAMPS
156	E40	M.V.: 400W maxi/H.P.S.: 400W maxi
156A	E40	M.V.: 400W maxi/H.P.S.: 400W maxi



More poles for fitting, pls check PG.67



**156**



**156A**

## TECHNICAL SPECIFICATIONS

157,157A luminaire is made of 3 parts:

**THE TOP COVER** made of die cast aluminium insures the overwhole protction of the luminaire.

**THE BODY** made of die cast aluminium.The frame is attached by means of an hinge and 1 S/S screw,under the body,assureing and easy access to the control gear and lamp.

**THE OPTIC SYSTEM** It comprises a pure refined aluminium reflector,stamped out in one piece and polished which is attached to the frame,and A flat clear glass is sealed directly to the reflector by means of a silicone seal insuring a high degree of protection.

Painted by polyester powder,color on request.

**PROTECTION DEGREE:**

Optical block IP65

**SHOCK ENERGY**

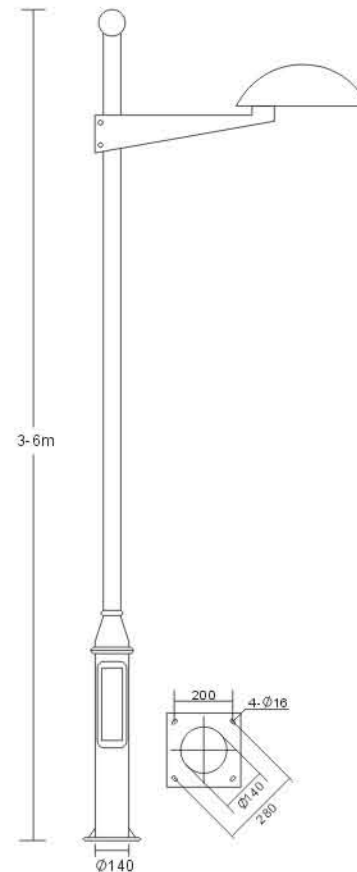
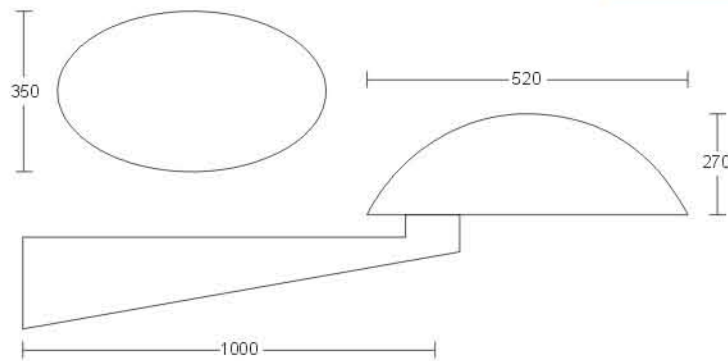
20 Joules(Tempered Glass)

**CLASS I**

**CLASS II** on request

## 157/157A

ITEM NO.	SOCKET	USED LAMPS
157	E27/E40	M.V.: 150W maxi/H.P.S.: 150W maxi
157A	E27/E40	M.V.: 150W maxi/H.P.S.: 150W maxi



More poles for fitting, pls check PG.67



# 157



## 157A

**TECHNICAL SPECIFICATIONS**

158,159 luminaire is made of 4 parts:

**THE TOP COVER** made of die casting aluminium insures the overwhole protction of the luminaire.

**THE BODY** made of die cast aluminium.The frame is attached by means of an hinge and 1 S/S screw,under the body,assureing and easy access to the control gear and lamp.

**THE OPTIC SYSTEM** It comprises a pure refined aluminium reflector,stamped out in one piece and polished which is attached to the frame,A flat clear tempered glass is sealed directly to the thereflector by means of a silicone seal insuring a high degree of protection.

**THE ADAPTOR** made of die cast aluminium..

Painted by polyester powder,color on request.

**PROTECTION DEGREE:**

Optical block IP65

**SHOCK ENERGY**

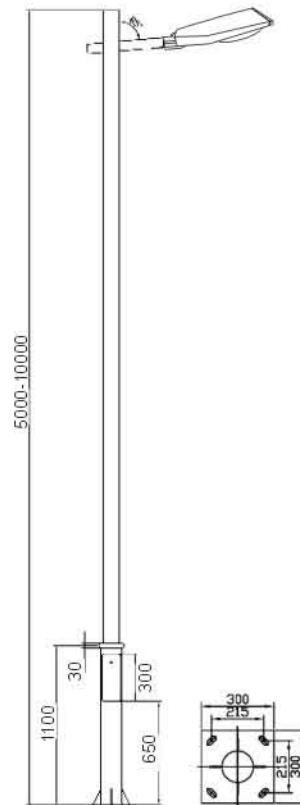
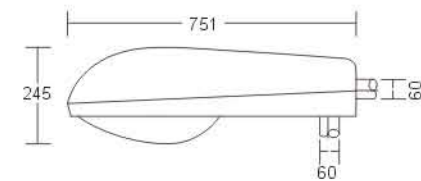
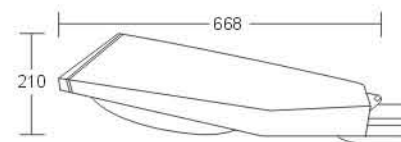
20 Joules(Tempered Glass)

**CLASS I**

**CLASS II** on request

**158/159**

ITEM NO.	SOCKET	USED LAMPS
158	E27/E40	M.V.: 150W maxi/H.P.S.: 150W maxi
159	E27/E40	M.V.: 250W maxi/H.P.S.: 250W maxi



More poles for fitting, pls check PG.67



**158**



**159**

**TECHNICAL SPECIFICATIONS**

160,135A,154 luminaire is made of 3 parts:

**THE TOP COVER** made of die casting aluminium insures the overwhole protction of the luminaire.

**THE BODY** made of die cast aluminium.The frame is attached by means of an hinge and 1 S/S screw,under the body,assureing and easy access to the control gear and lamp.

**THE OPTIC SYSTEM** It comprises a pure refined aluminium reflector,stamped out in one piece and polished which is attached to the frame,A flat clear tempered glass is sealed directly to the thereflector by means of a silicone seal insuring a high degree of protection...

Painted by polyester powder,color on request.

**PROTECTION DEGREE:**

Optical block IP65

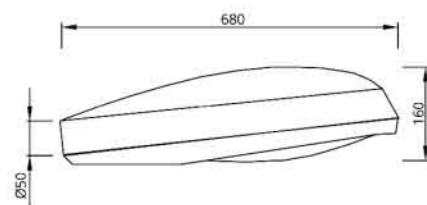
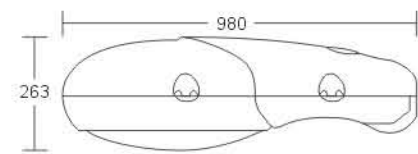
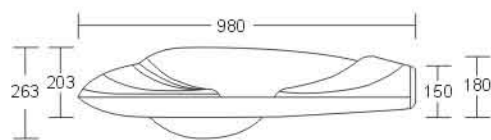
**SHOCK ENERGY**

20 Joules(Tempered Glass)

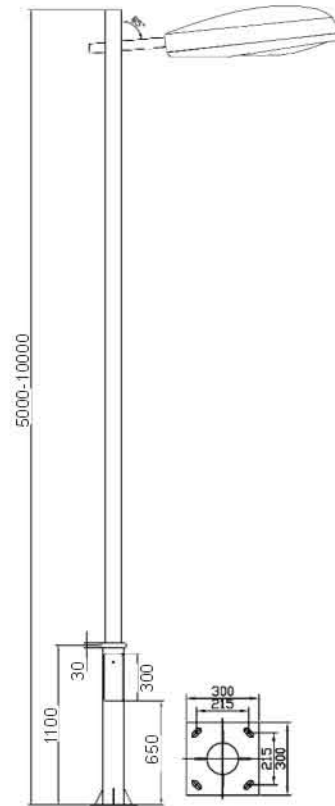
**CLASS I**

**CLASS II** on request

**160/135A/154**



ITEM NO.	SOCKET	USED LAMPS
160/135A	E27/E40	M.V.: 250W maxi/H.P.S.: 250W maxi
154	E27/E40	M.V.: 150W maxi/H.P.S.: 150W maxi



More poles for fitting, pls check PG.67



**160**



**135A**



**154**

## TECHNICAL SPECIFICATIONS

**AU5181B,C** luminaire is made of 3 main parts:

**THE DOME** made of embossed aluminium anodized insures the overwhole protection of the luminaire. THE DOME assembly in stainless steel is held to the flange by means of Zinc coated steel tweaded rods, access for maintenance is easily achieved by removing the top part of the DOME assembly.

**THE DIFFUSER** made of frost polycarbonate, A reflector in pure aluminium stamped out in one piece..

**THE BASE** made of die cast aluminium onto which the control gear ,lamp and its protection cover are fixed, mounting for a 60mm.

Painted by polyester powder,color on request.

### PROTECTION DEGREE:

Optical block IP55

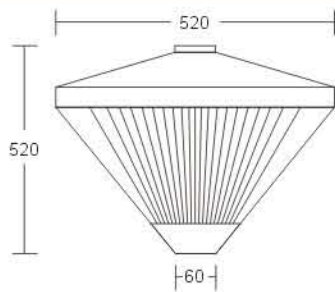
### SHOCK ENERGY

20 Joules(polycarbonate bowl)

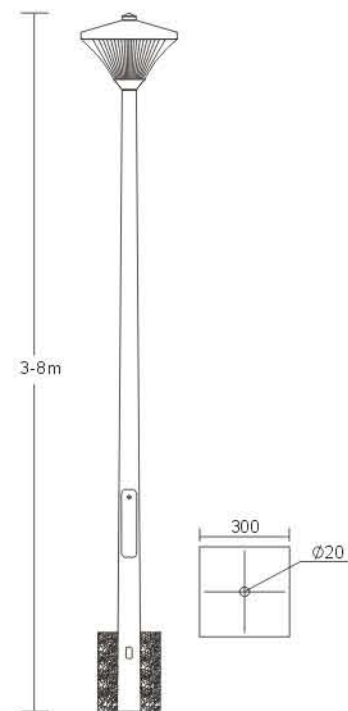
### CLASS I

CLASS II on request

## Au5181B/C



ITEM NO.	SOCKET	USED LAMPS
Au5181B	E27/E40	M.V.: 150W maxi/H.P.S.: 150W maxi
Au5181C	E27/E40	M.V.: 150W maxi/H.P.S.: 150W maxi



More poles for fitting, pls check PG.67



# Au5181B



# Au5181C



**TECHNICAL SPECIFICATIONS**

**AU5701B** luminaire is made of 4 parts:

**THE DOME** made of embossed aluminium anodized insures the overwhole protction of the luminaire. THE DOME assembly in stainless steel is held to the flange by means of Zinc coated steel tweaded rods, access for maintenance is easily achieved by removing the top part of the DOME assembly.

**THE DIFFUSER** made of frost polycarbonate or glass..

**THE OPTIC SYSTEM** is comprises a pure painted embossed aluminium reflector in the middle of luminaire body ,one control gear plate on the base, the lampholder on the plate, and the control gear under this plate.

**THE BASE** made of die cast aluminium.

Painted by polyester powder, color on request.

**PROTECTION DEGREE:**

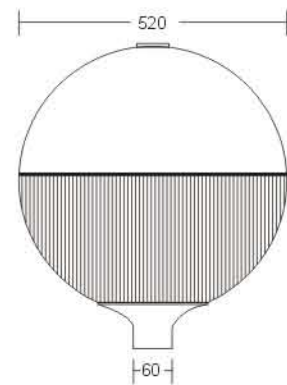
Optical block IP55

**SHOCK ENERGY**

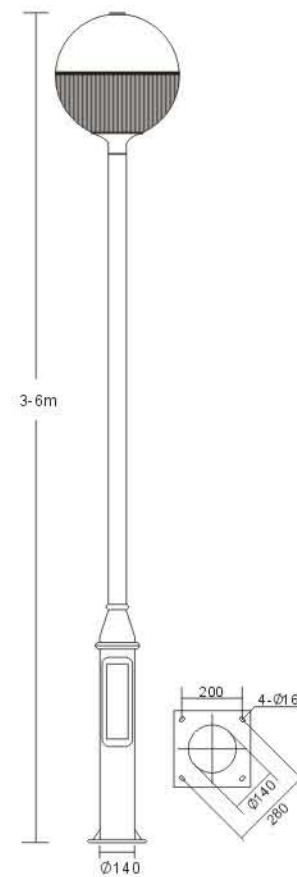
2 Joules (polycarbonate bowl)

**CLASS I**

**CLASS II** on request

**Au5701B**

ITEM NO.	SOCKET	USED LAMPS
Au5701B	E27/E40	M.V.: 150W maxi/H.P.S.: 150W maxi



More poles for fitting, pls check PG.67

**Au5701B**

## TECHNICAL SPECIFICATIONS

AU5831,AU5831A luminaire is made of 3 main parts:

**THE DOME** in embossed aluminium or aged copper,insures the protection of the reflector and the control gear.

**THE DIFFUSER** made of clear or opal methacrylate, standard or ogive shape on request.

**THE OPTICAL BLOCK** is composed of an anodized aluminium reflector,sealed to a bowl,the lot is attached to the dome by means of hinge and locked by 4X1/4 turns locks.

Painted by polyester powder,color on request.

### PROTECTION DEGREE:

Optical block IP65

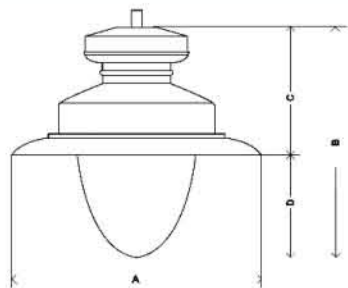
### SHOCK ENERGY

2 Joules (methacrylate bowl)

### CLASS I

CLASS II on request

## Au5831/Au5831A

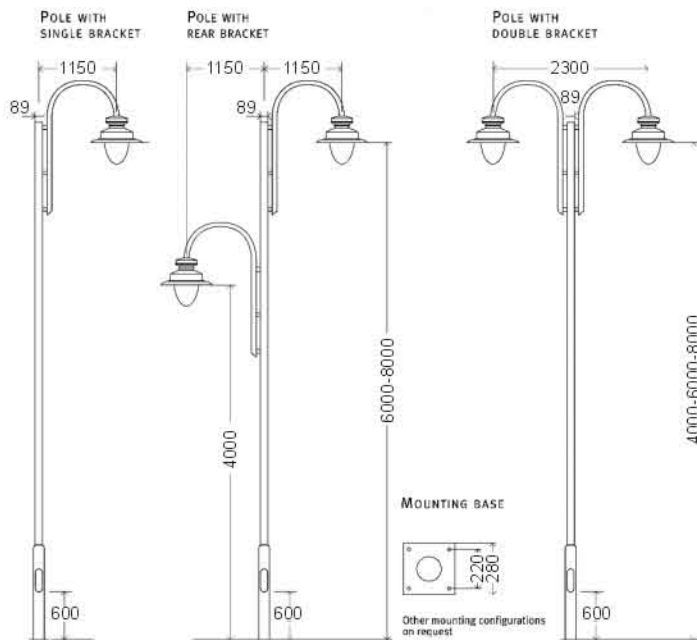


	Mini	Midi	Maxi
A	Ø505	Ø590	Ø700
B	485	584	681
C	262	308	374
D	176	276	307

ITEM NO.	SOCKET	USED LAMPS
Au5831	E27/E40	M.V.: 150W maxi/H.P.S.: 150W maxi
Au5831A	E27/E40	M.V.: 150W maxi/H.P.S.: 150W maxi



More poles for fitting, pls check PG.67



# Au5831

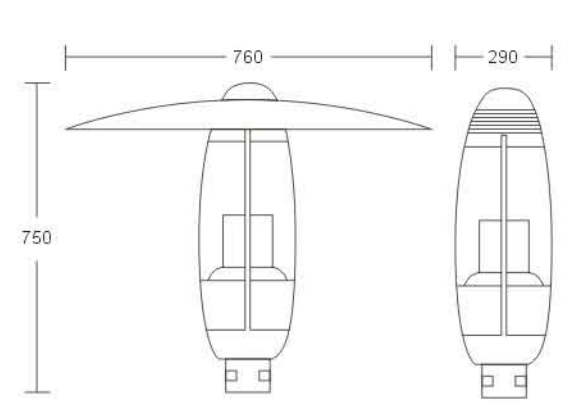


# Au5831A

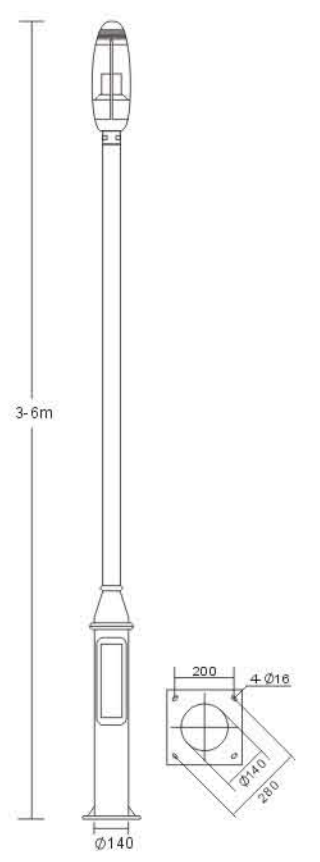
**TECHNICAL SPECIFICATIONS**

**AU5841,5841A** luminaire is made of 4 main parts:  
**THE TOP CAP** in embossed aluminium.  
**THE DIFFUSER** made of clear or opal methacrylate, standard or ogive shape on request.  
**THE OPTICAL BLOCK** is composed of a glass reflector, held to the base.  
**THE BASE** in cast aluminium.  
 Painted by polyester powder, color on request.  
**PROTECTION DEGREE:**  
 Optical block IP55  
**SHOCK ENERGY**  
 2 Joules (methacrylate bowl)  
**CLASS I**  
**CLASS II** on request

**Au5841/Au5841A**



ITEM NO.	SOCKET	USED LAMPS
Au5841	E27/E40	M.V.:70W maxi/H.P.S.:70W maxi
Au5841A	E27/E40	M.V.:70W maxi/H.P.S.:70W maxi



More poles for fitting, pls check PG.67



**AU5841**

**AU5841A**

**TECHNICAL SPECIFICATIONS**

**AU5851** luminaire is made of 4 main parts:

**THE TOP CAP** in pure aluminium, stamped out in one piece, once removed the TOP CAP and control gear are easily attained.

**THE FRAME** is cast aluminium.

**THE OPTICAL BLOCK** is composed of a tempered glass sealed the frame, one anodized reflector in the frame.

**THE BASE FLANGE** in cast aluminium, TOP mounting for 76mm.

Painted by polyester powder, color on request.

**PROTECTION DEGREE:**

Optical block IP55

**SHOCK ENERGY**

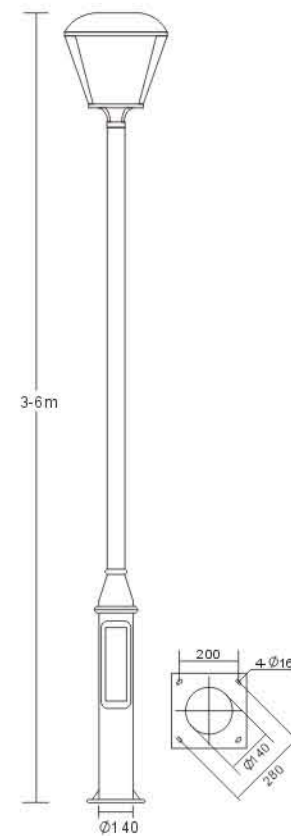
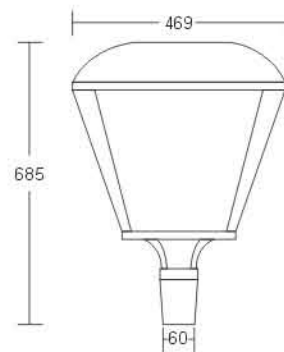
20 Joules (tempered glass)

**CLASS I**

**CLASS II** on request

**Au5851**

ITEM NO.	SOCKET	USED LAMPS
Au5851	E27/R7S	M.H.: 150W max/H.P.S.: 150W max



More poles for fitting, pls check PG.67



**AU5851**

**TECHNICAL SPECIFICATIONS**

**AU5861** luminaire is made of 4 main parts:

**THE CROWN** in cast aluminium is held to the **DOME** by means of 1 Zinc screw piping, once removed the dome and control gear are easily attained.

**THE DOME** is made of embossed aluminium sheet.

**THE FRAME** is cast aluminium.

**THE OPTICAL BLOCK** is composed of a polycarbonate held the frame, one anodized reflector in the frame.

Painted by polyester powder, color on request.

Mounting top with two possibilities.

- Fixed (male)
- Knuckle system (Female) 4/3"

**PROTECTION DEGREE:**

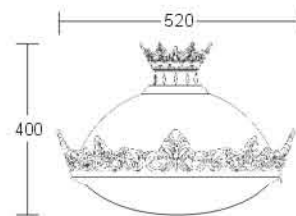
Optical block IP65

**SHOCK ENERGY**

20 Joules (polycarbonate bowl)

**CLASS I**

**CLASS II** on request

**Au5861**

ITEM NO.	SOCKET	USED LAMPS
Au5861	E27/E40	M.H.: 150W max/H.P.S.: 150W max



More poles for fitting, pls check PG.67



# AU5861

## TECHNICAL SPECIFICATIONS

AU5871, AU5871A luminaire is made of five parts:

**THE FINIAL TOP** is made of aluminium (steel) sheet, stamped out in one piece, welded to the dome.

**THE DOME** is made of aluminium (steel) sheet, stamped out in one piece, 4 pcs fixed together, once removed the dome and control gear are easily attained.

**THE FRAME** of the luminaire is made up of 3 parts, a square ring in aluminium (steel) sheet supported by 4 ribs in aluminium (steel) sheet fixed to the base flange, mounting for 26mm held.

**THE OPTICAL BLOCK** is made up of 3 parts fixed together so as to obtain a high degree of protection.

A control gear on the CDG steel sheet, once removed the dome and the finial top, the control gear are easily attained.

The diffuser in opal, clear, frost methacrylate.

A reflector made in CDG steel sheet (IP33), OR the reflector in pure aluminium, stamped out in one piece and anodized which is fixed on the CDG steel sheet and a clear tempered glass is sealed directly to the reflector by means of silicon seal insuring a high degree of protection (IP65), the control gear is placed around the reflector.

**THE BASE FLANGE** is steel piping welded to one steel ring, top mounting for 26mm.

The steel or aluminium sheet body on request.

Painted by polyester powder, color on request.

**PROTECTION DEGREE:**

IP33, Optical block IP65 on request.

**SHOCK ENERGY**

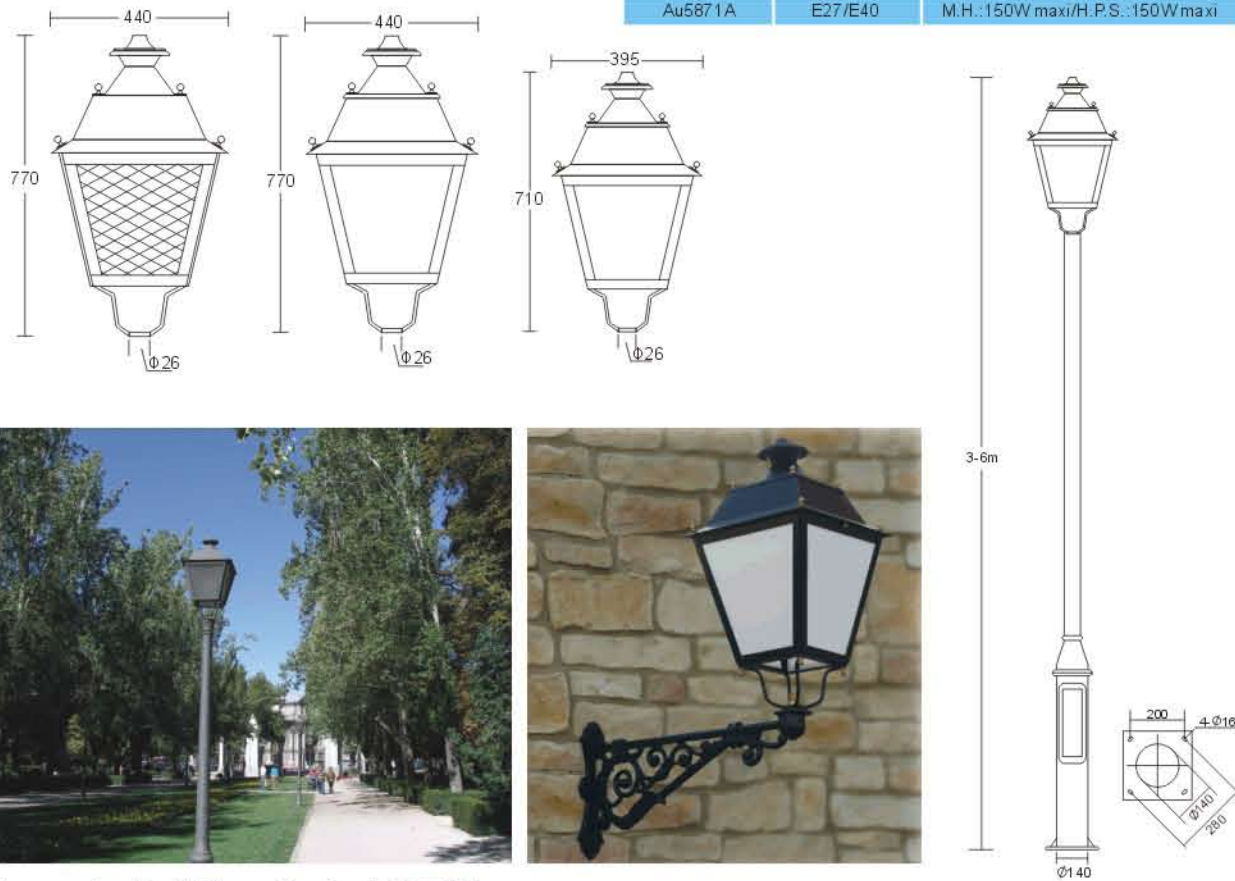
2 Joules (methacrylate diffuser)

**CLASS I**

**CLASS II** on request

## Au5871/Au5871A

ITEM NO.	SOCKET	USED LAMPS
Au5871	E27/E40	M.H.: 150W max/H.P.S.: 150W max
Au5871A	E27/E40	M.H.: 150W max/H.P.S.: 150W max



More poles for fitting, pls check PG.67



# Au5871



## Au5871A

**TECHNICAL SPECIFICATIONS**

**AU5881** luminaire is made of 4 main parts:

**THE TOP COVER** in aluminium sheet, it is made up of 4 pcs by stamped out one piece, welded 4 pcs together, once removed the dome and control gear are easily attained.

**THE FRAME** is cast aluminium, held to the base flange.

**THE DIFFUSER** is frosted polycarbonate.

**THE BASE FLANGE** is in cast aluminium.

Painted by polyester powder, color on request.

**PROTECTION DEGREE:**

Optical block IP54

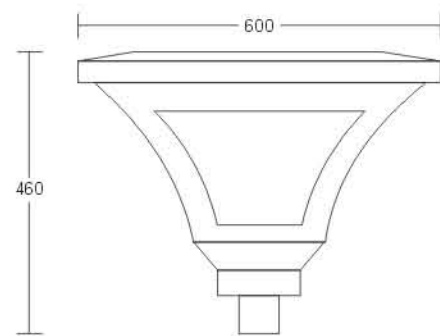
**SHOCK ENERGY**

20 Joules (polycarbonate bowl)

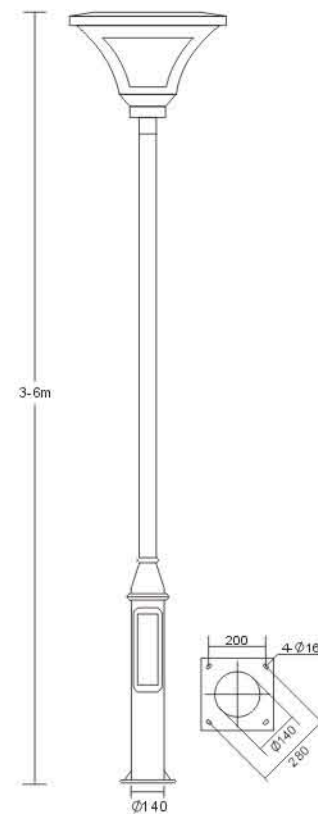
**CLASS I**

**CLASS II** on request

**Au5881**



ITEM NO.	SOCKET	USED LAMPS
Au5881	E27/E40	M.H. 250W max/H.P.S. 250W max



More poles for fitting, pls check PG.67



**Au5881**

**TECHNICAL SPECIFICATIONS**

**AU5891** luminaire is made of 3 main parts:

**THE REFLECTOR** in fiberboard, painting white color, the plastic shine reflector anodized, fixed in the fiberboard reflector.

**THE FRAME** is die cast aluminium, held to the base flange.

**THE OPTICAL SYSTEM** made of aluminium body is close by 2 tempered glass sealed inside a cover plate in cast aluminium which is in turn fastened to the frame. A silicon seal assures the high degree of protection, the light can be spot up down.

Painted by polyester powder, color on request.

**PROTECTION DEGREE:**

Optical block IP66

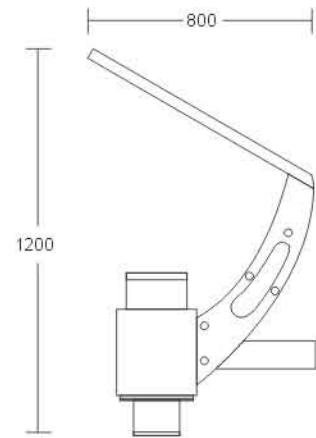
**SHOCK ENERGY**

20 Joules (tempered glass)

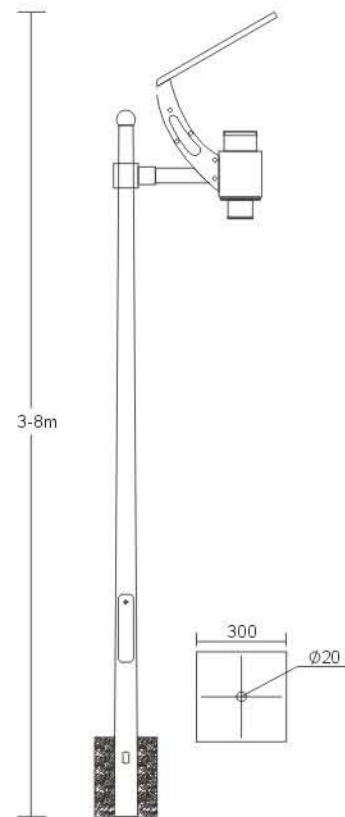
**CLASS I**

**CLASS II** on request

**Au5891**



ITEM NO.	SOCKET	USED LAMPS
Au5891	E27/G12	M.H.: 150W max/H.P.S.: 150W max



More poles for fitting, pls check PG.67



**Au5891**



### TECHNICAL SPECIFICATIONS

**AU5901,AU5901A** luminaire is made of 3 main parts:

**THE TOP COVER** in octagonal diecast aluminium held to the Ring body.

**RING BODY** in aluminium diecast. The frame is attached by means of an hinge and 3 S/S screw, under the body, assuring and easy access to the control gear and lamp.

**THE OPTIC SYSTEM** It comprises a pure refined aluminium reflector, stamped out in one piece and polished which is attached to the frame, and another CDG steel reflector fixed with aluminium reflector, A arc tempered glass is sealed directly to the CDG steel reflector by means of a silicone seal insuring a high degree of protection.

Post luminaire or hanging luminaire for your choice.

Painted by polyester powder, color on request.

**PROTECTION DEGREE:**

Optical block IP66

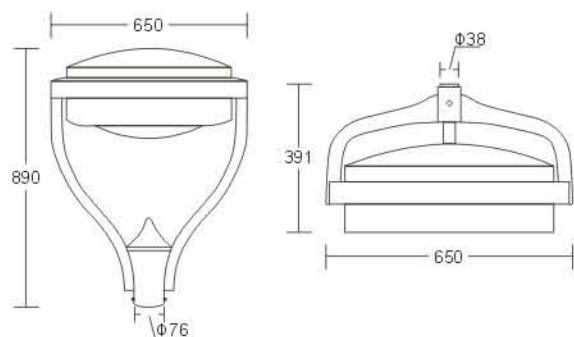
**SHOCK ENERGY**

20 Joules (tempered glass)

**CLASS I**

**CLASS II** on request

## Au5901/Au5901A



ITEM NO.	SOCKET	USED LAMPS
Au5901	E27/E40	M.H.:250W max/H.P.S.:250W max
Au5901A	E27/E40	M.H.:250W max/H.P.S.:250W max



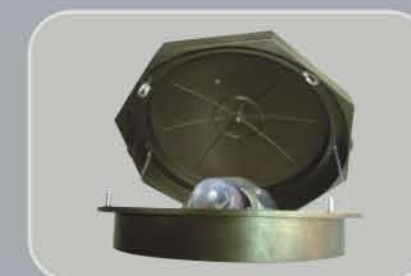
More poles for fitting, pls check PG.67



# Au5901



# Au5901A



**TECHNICAL SPECIFICATIONS**

**AU5911, AU5911A** luminaire is made of 3 main parts:

**THE TOP COVER** in diecast aluminium held to the Ring body.

**RING BODY** in aluminium diecast. The frame is attached by means of an hinge and 3 S/S screw, under the body, assuring and easy access to the control gear and lamp.

**THE OPTIC SYSTEM** It comprises a pure refined aluminium reflector, stamped out in one piece and polished which is attached to the frame, and another CDG steel reflector fixed with aluminium reflector, A arc tempered glass is sealed directly to the CDG steel reflector by means of a silicone seal insuring a high degree of protection.

Post luminaire or hanging luminaire for your choice.

Painted by polyester powder, color on request.

**PROTECTION DEGREE:**

Optical block IP66

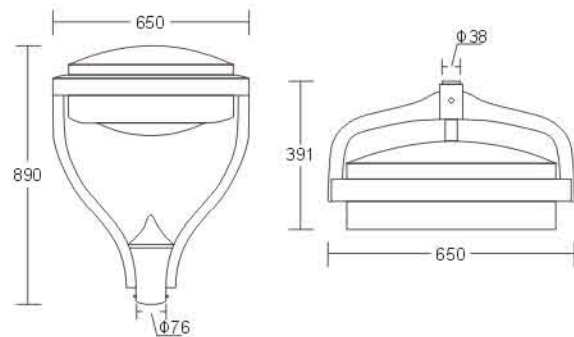
**SHOCK ENERGY**

20 Joules (tempered glass)

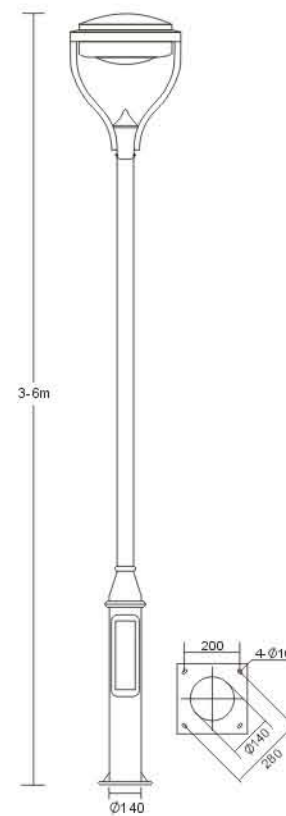
**CLASS I**

**CLASS II** on request

**Au5911/Au5911A**



ITEM NO.	SOCKET	USED LAMPS
Au5911	E27/E40	M.H.:250W max/H.P.S.:250W max
Au5911A	E27/E40	M.H.:250W max/H.P.S.:250W max



More poles for fitting, pls check PG.67



**Au5911**



**Au5911A**

DIMENSION OF HDG STEEL LIGHTING COLUMN					
NOMINAL HEIGHT H (METRE)	COLUMN LENGTH			PLANTED TYPE	FLANGE MOUNT TYPE (FOR MSCP ONLY)
	LENGTH(mm)			PLANTING DEPTH(mm)	
	H1	H2	H3	P=P1+P2	
3	1000	2000	-	1000=300+700	FLANGE PLATE 280x280(12mm THK) 280x200(12mm THK)
3.5	1000	2500	-	1000=300+700	
4	1000	3000	-	1000=300+700	
4.5	1000	3500	-	1000=300+700	
5	1000	4000	-	1000=300+700	NOT APPLICABLE
6	1000	3000	2000	1200=300+900	
8	2000	3000	3000	1700=700+1000	
10	2500	3500	4000	1700=700+1000	

